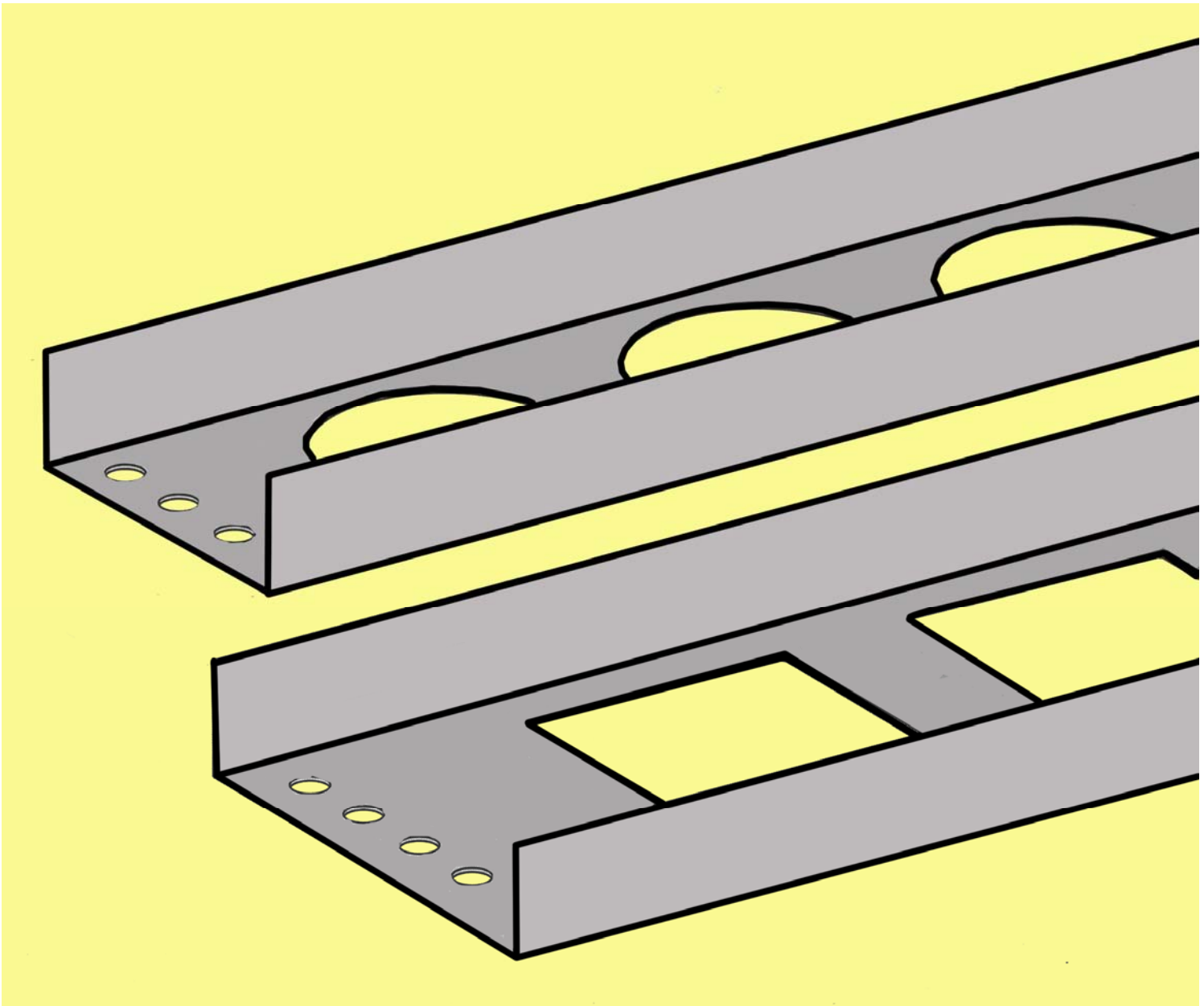


# *Electray Channel*

Numbering System	Pg. 6.2
Horizontal Bends	Pg. 6.3
Vertical Inside Bends	Pg. 6.4
Vertical Outside Bends	Pg. 6.5
Horizontal Crosses & Tees	Pg. 6.6

*4" and 6"*



For more information or to order, call 1-800-277-4810 or visit [www.mphusky.com](http://www.mphusky.com).

## Ordering Information

### Numbering System

SSG-6-144				
P R E F I X			6-	144
S	S	G-		
Material	Solid Bottom	Tray Type	Width in Inches	Length in Inches
<b>Materials:</b> A=Aluminum S=HDGAF Steel P=Mill Galv Steel 4=Stainless Steel 304 6=Stainless Steel 316	<b>Bottom</b> Indicates solid bottom tray <i>Omit this "S" if you do <b>not</b> require solid bottom tray</i>	<b>Tray Types:</b> <b>Aluminum</b> AG, ASG <b>Steel</b> SG, SSG, 6G, 6SG, 4G, 4SG,	<b>Widths:</b> 4" 6"	<b>Lengths:</b> 12' 24'

### Other Technical Data

**Depth:**

1-3/4 inches outside with a loading depth of 1-5/8 inches inside

**Fittings:**

12, 24, or 36 inch standard radii (See the Fittings Section 5 of this

**Channel Bottoms:**

All channels have flat bottoms and are available with or without ventilation holes.

**Splice Plates:**

Straight sections and fittings are supplied with splice plates and hardware.

**Safety Factor:**

1.5 NEMA Standard

### Straight Sections

Table 6.1

Bottom	Basic Catalog No				Width (in inches)	Length (in inches)
	Type Prefix					
	Stainless Steel 304	Stainless Steel 316	HDGAF Steel	Aluminum		
Ventilated	4G-	6G-	SG-	AG-	4", 6"	144", 288"
Solid	4SG-	6SG-	SSG-	ASG-	4", 6"	144", 288"

\* Use 288 for 24' length

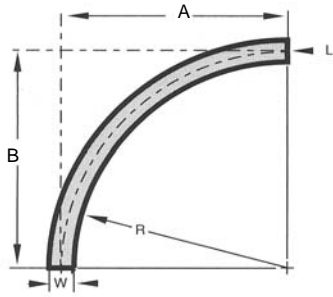
Table 6.2

### Loading Tables

	Width (In.)	Approx. Weight (lbs./ft.)	Span (Feet)									
			6		8		10		12		14	
			Load	Defl	Load	Defl	Load	Defl	Load	Defl	Load	Defl
Steel	4	1.30	---	---	22.5	.57	14.4	.89	10.0	1.29	7.35	1.75
	6	1.43	---	---	23.5	.54	15.0	.86	10.4	1.23	7.70	1.68
Aluminum	4	.68	---	---	22.4	1.10	14.3	1.72	10.0	2.47	7.30	3.37
	6	.74	---	---	23.4	1.05	15.0	1.65	10.4	2.37	7.60	3.23

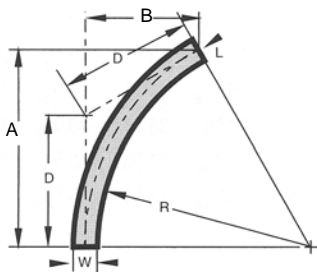
## Horizontal Bends

### 90° Horizontal Bend



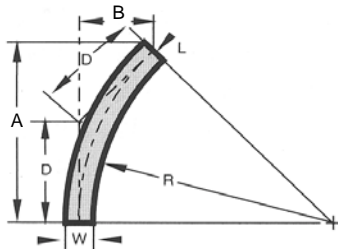
Width	Radius	Catalog No.		R	A	B	L
		Prefix	Basic				
6	36	See Table 6.1	6H90-36	34-5/8"	37-1/2"	37-1/2"	58-15/16"
	24		6H90-24	22-1/2"	25-1/2"	25-1/2"	40-1/16"
	12		6H90-12	11-7/8"	14-7/8"	14-7/8"	23-3/8"
4	36		4H90-36	34-1/2"	36-1/2"	36-1/2"	57-5/16"
	24		4H90-24	22-1/2"	24-1/2"	24-1/2"	38-1/2"
	12		4H90-12	11-7/8"	13-7/8"	13-7/8"	21-3/4"

### 60° Horizontal Bend



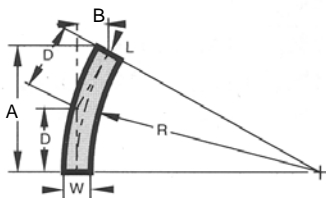
Width	Radius	Catalog No.		R	A	B	D	L
		Prefix	Basic					
6	36	See Table 6.1	6H60-36	34-5/8"	32-1/2"	18-3/4"	21-5/8"	39-1/4"
	24		6H60-24	22-1/2"	22-1/16"	12-3/4"	14-3/4"	26-11/16"
	12		6H60-12	11-7/8"	12-7/8"	7-7/16"	8-9/16"	15-9/16"
4	36		4H60-36	34-1/2"	31-5/8"	18-1/4"	21-1/16"	38-1/4"
	24		4H60-24	22-1/2"	21-3/16"	12-1/4"	14-1/8"	25-11/16"
	12		4H60-12	11-7/8"	12"	6-15/16"	8"	14-1/2"

### 45° Horizontal Bend



Width	Radius	Catalog No.		R	A	B	D	L
		Prefix	Basic					
6	36	See Table 6.1	6H45-36	34-5/8"	26-1/2"	11"	15-9/16"	29-7/16"
	24		6H45-24	22-1/2"	18"	7-1/2"	10-9/16"	20"
	12		6H45-12	11-7/8"	10-1/2"	4-3/8"	6-3/16"	11-11/16"
4	36		4H45-36	34-1/2"	25-13/16"	10-11/16"	15-1/8"	28-11/16"
	24		4H45-24	22-1/2"	17-5/16"	7-3/16"	10-1/8"	19-1/4"
	12		4H45-12	11-7/8"	9-13/16"	4-1/16"	5-3/4"	10-7/8"

### 30° Horizontal Bend



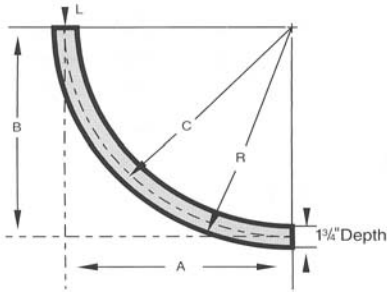
Width	Radius	Catalog No.		R	A	B	D	L
		Prefix	Basic					
6	36	See Table 6.1	6H30-36	34-5/8"	18-3/4"	5"	10-1/16"	19-5/8"
	24		6H30-24	22-1/2"	12-3/4"	3-7/16"	6-13/16"	13-5/16"
	12		6H30-12	11-7/8"	11-7/8"	2"	4"	7-3/4"
4	36		4H30-36	34-1/2"	18-1/4"	4-7/8"	9-3/4"	19-1/8"
	24		4H30-24	22-1/2"	12-1/4"	3-5/16"	6-9/16"	12-13/16"
	12		4H30-12	11-7/8"	6-15/16"	1-7/8"	3-11/16"	7-1/4"

Sample Catalog No. (Prefix + Basic)	AG	6H30-36	Aluminum Ventilated 30° Horizontal Bend—6"W x 36" R
--	----	---------	---

For more information or to order, call 1-800-277-4810 or visit [www.mphusky.com](http://www.mphusky.com).

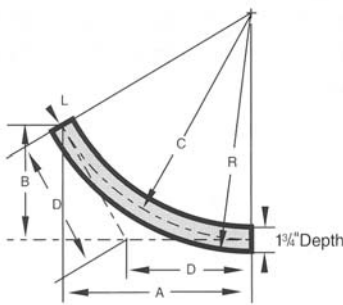
## Vertical Inside Bends

### 90° Vertical Inside Bend



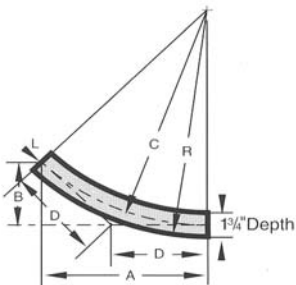
Width	Radius	Catalog No.		A	B	C	L
		Prefix	Basic				
6	36	See Table 6.1	6VI90-36	35-1/8"	35-1/8"	35-1/8"	55-3/16"
	24		6VI90-24	23-1/8"	23-1/8"	23-1/8"	36-5/16"
	12		6VI90-12	11-1/8"	11-1/8"	11-1/8"	17-1/2"
4	36		4VI90-36	35-1/8"	35-1/8"	35-1/8"	55-3/16"
	24		4VI90-24	23-1/8"	23-1/8"	23-1/8"	36-5/16"
	12		4VI90-12	11-1/8"	11-1/8"	11-1/8"	17-1/2"

### 60° Vertical Inside Bend



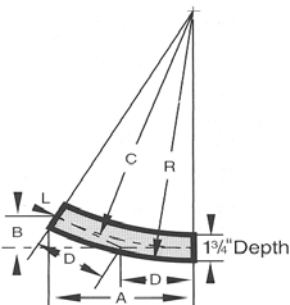
Width	Radius	Catalog No.		A	B	C	D	L
		Prefix	Basic					
6	36	See Table 6.1	6VI60-36	30-7/16"	17-5/8"	35-1/8"	20-5/16"	36-13/16"
	24		6VI60-24	20"	11-9/16"	23-1/8"	13-3/8"	24-3/16"
	12		6VI60-12	9-5/8"	5-9/16"	11-1/8"	6-7/16"	11-5/8"
4	36		4VI60-36	30-7/16"	17-5/8"	35-1/8"	20-5/16"	36-13/16"
	24		4VI60-24	20"	11-9/16"	23-1/8"	13-3/8"	24-3/16"
	12		4VI60-12	9-5/8"	5-9/16"	11-1/8"	6-7/16"	11-5/8"

### 45° Vertical Inside Bend



Width	Radius	Catalog No.		A	B	C	D	L
		Prefix	Basic					
6	36	See Table 6.1	6VI45-36	24-7/8"	10-5/16"	35-1/8"	14-9/16"	27-9/16"
	24		6VI45-24	16-3/8"	6-3/4"	23-1/8"	9-9/16"	18-3/16"
	12		6VI45-12	7-7/8"	3-1/4"	11-1/8"	4-5/8"	8-3/4"
4	36		4VI45-36	24-7/8"	10-5/16"	35-1/8"	14-9/16"	27-9/16"
	24		4VI45-24	16-3/8"	6-3/4"	23-1/8"	9-9/16"	18-3/16"
	12		4VI45-12	7-7/8"	3-1/4"	11-1/8"	4-5/8"	8-3/4"

### 30° Vertical Inside Bend



Width	Radius	Catalog No.		A	B	C	D	L
		Prefix	Basic					
6	36	See Table 6.1	6VI30-36	17-9/16"	4-3/4"	35-1/8"	9-7/16"	18-3/8"
	24		6VI30-24	11-9/16"	3-1/16"	23-1/8"	6-3/16"	12-1/8"
	12		6VI30-12	5-9/16"	1-1/2"	11-1/8"	3"	5-13/16"
4	36		4VI30-36	17-9/16"	4-3/4"	35-1/8"	9-7/16"	18-3/8"
	24		4VI30-24	11-9/16"	3-1/16"	23-1/8"	6-3/16"	12-1/8"
	12		4VI30-12	5-9/16"	1-1/2"	11-1/8"	3"	5-13/16"

Sample Catalog No.  
(Prefix + Basic)

6SG

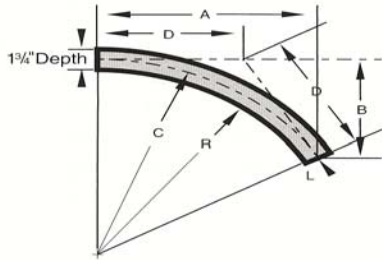
6VI30-24

Stainless Steel 316 Solid Bottom  
30° Vertical Inside Bend-6"W x 24"R

For more information or to order, call 1-800-277-4810 or visit [www.mphusky.com](http://www.mphusky.com).

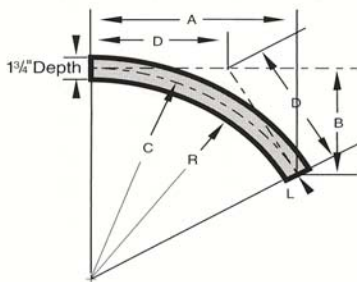
## Vertical Outside Bends

### 90° Vertical Outside Bend



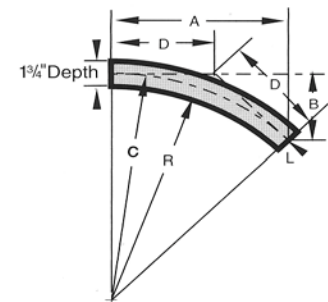
Width	Radius	Catalog No.		A	B	C	L
		Prefix	Basic				
6	36	See Table 6.1	6VO90-36	36-7/8"	36-7/8"	36-7/8"	57-15/16"
	24		6VO90-24	24-7/8"	24-7/8"	24-7/8"	39-1/16"
	12		6VO90-12	12-7/8"	12-7/8"	12-7/8"	20-1/4"
4	36		4VO90-36	36-7/8"	36-7/8"	36-7/8"	57-15/16"
	24		4VO90-24	24-7/8"	24-7/8"	24-7/8"	39-1/16"
	12		4VO90-12	12-7/8"	12-7/8"	12-7/8"	20-1/4"

### 60° Vertical Outside Bend



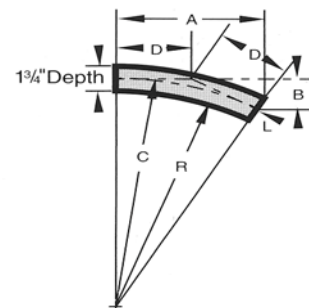
Width	Radius	Catalog No.		A	B	C	D	L
		Prefix	Basic					
6	36	See Table 6.1	6VO60-36	31-15/16"	18-7/16"	36-7/8"	21-5/16"	38-5/8"
	24		6VO60-24	21-9/16"	12-7/16"	24-7/8"	14-3/8"	26-1/16"
	12		6VO60-12	11-1/8"	6-7/16"	12-7/8"	7-7/16"	13-7/16"
4	36		4VO60-36	31-15/16"	18-7/16"	36-7/8"	21-5/16"	38-5/8"
	24		4VO60-24	21-9/16"	12-7/16"	24-7/8"	14-3/8"	26-1/16"
	12		4VO60-12	11-1/8"	6-7/16"	12-7/8"	7-7/16"	13-7/16"

### 45° Vertical Outside Bend



Width	Radius	Catalog No.		A	B	C	D	L
		Prefix	Basic					
6	36	See Table 6.1	6VO45-36	26-1/16"	10-3/4"	36-7/8"	15-1/4"	28-15/16"
	24		6VO45-24	17-9/16"	7-5/16"	24-7/8"	10-5/16"	19-9/16"
	12		6VO45-12	9-1/8"	3-3/4"	12-7/8"	5-5/16"	10-1/8"
4	36		4VO45-36	26-1/16"	10-3/4"	36-7/8"	15-1/4"	28-15/16"
	24		4VO45-24	17-9/16"	7-5/16"	24-7/8"	10-5/16"	19-9/16"
	12		4VO45-12	9-1/8"	3-3/4"	12-7/8"	5-5/16"	10-1/8"

### 30° Vertical Outside Bend



Width	Radius	Catalog No.		A	B	C	D	L
		Prefix	Basic					
6	36	See Table 6.1	6VO30-36	18-7/16"	4-15/16"	36-7/8"	9-7/8"	19-5/16"
	24		6VO30-24	12-7/16"	3-5/16"	24-7/8"	6-5/8"	13"
	12		6VO30-12	5-7/16"	1-3/4"	12-7/8"	3-7/16"	6-3/4"
4	36		4VO30-36	18-7/16"	4-15/16"	36-7/8"	9-7/8"	19-5/16"
	24		4VO30-24	12-7/16"	3-5/16"	24-7/8"	6-5/8"	13"
	12		4VO30-12	5-7/16"	1-3/4"	12-7/8"	3-7/16"	6-3/4"

Sample Catalog No.  
(Prefix + Basic)

SG

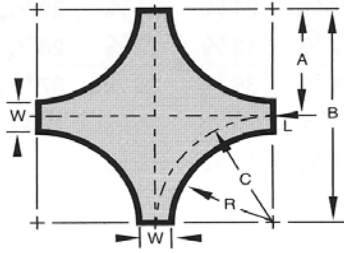
6VO45-12

HDGAF Steel-Ventilated—45°  
Vertical Outside Bend—6"W x 12" R

For more information or to order, call 1-800-277-4810 or visit [www.mphusky.com](http://www.mphusky.com).

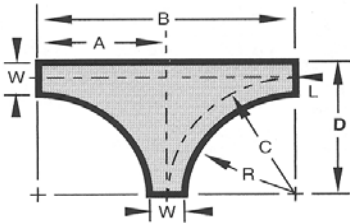
## Horizontal Crosses and Tees

### Horizontal Cross



Width	Radius	Catalog No.		A	B	C	L
		Prefix	Basic				
6	36	See Table 6.1	6X-36	39"	78"	39"	61-1/4"
	24		6X-24	27"	54"	27"	42-3/8"
	12		6X-12	15"	30"	15"	23-1/2"
4	36		4X-36	38"	76"	38"	59-11/16"
	24		4X-24	26"	52"	26"	40-13/16"
	12		4X-12	14"	28"	14"	21"

### Horizontal Tee



Width	Radius	Catalog No.		A	B	C	D	L
		Prefix	Basic					
6	36	See Table 6.1	6T-36	39"	78"	39"	42"	61-1/4"
	24		6T-24	27"	54"	27"	30"	42-3/8"
	12		6T-12	15"	30"	15"	18"	23-1/2"
4	36		4T-36	38"	76"	38"	40"	59-11/16"
	24		4T-24	26"	52"	26"	28"	40-15/16"
	12		4T-12	14"	28"	14"	16"	21"

Sample Catalog No.  
(Prefix + Basic)

ASG

6X-36

Aluminum Solid Bottom—Horizontal  
Cross—6"W x 36" R

For more information or to order, call 1-800-277-4810 or visit [www.mphusky.com](http://www.mphusky.com).